

# Taste the Kinetico Difference

## K5 Drinking Water Station



 **Kinetico**<sup>®</sup>  
home water systems

Protection against a wide variety of contaminants

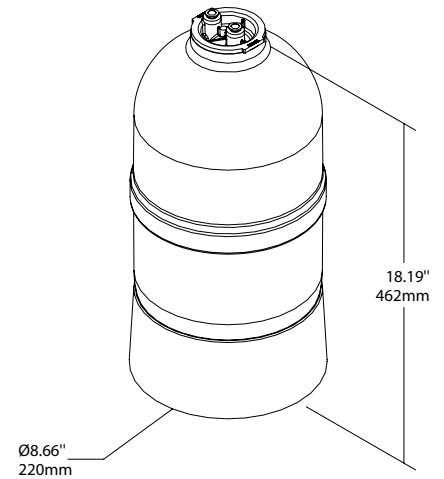
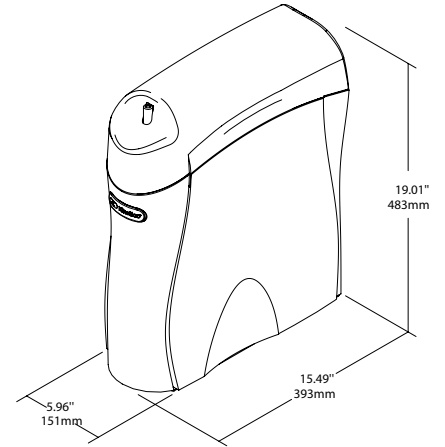
Maximum water efficiency

Flexible and expandable to meet any drinking water need

Flow from faucet is up to two times greater than any other drinking water system

## What Makes The Kinetico K5 Drinking Water Station Different?

- 1. Cartridge Options.** Eight different options to meet your removal needs now and in the future. Includes the Purefecta<sup>®</sup> Virus/Bacteria Guard\* for microbiologically pure water. The Mineral Plus<sup>+</sup> cartridge improves the taste and health benefits of water by adding magnesium and calcium into the treated water. Cartridges also available for arsenic, chloramines<sup>+</sup>, chlorine/sediment, sediment, perchlorate<sup>+</sup> and VOC reduction. Final polish with carbon post filter.
- 2. QuickFlo Technology.** Delivers a strong flow of water from the faucet. Allows system to produce more water in less time.
- 3. High Daily Production.** Can produce more than 40 gallons per day.
- 4. Quick Disconnect Sanitary Filter Cartridges.** Makes changing filters easy.
- 5. Patented, Exclusive EverClean<sup>®</sup> Rinse.** Consistently-high water quality. Increases membrane life - lowers maintenance cost.
- 6. PureMometer<sup>®</sup> Filter Life Indicator.** Shows filter capacity.
- 7. Patented, Tamper-Proof MACguard<sup>®</sup> Filter.** No more wondering when to change cartridges. Assures high quality water and peace of mind.
- 8. Automatic System Shutdown.** Conserves water - doesn't run water continuously to drain.
- 9. Exclusive Designer Faucet.** Lead-free, stylish design available in a variety of finishes.
- 10. Non-Electric, Totally Automatic.** No electrical problems.
- 11. Efficient Operation.** Conserves water, lower operating costs.
- 12. Outstanding Warranty.** Dependability, peace of mind.



\*Tested and certified by WQA against NSF P231- microbiological water purifiers.

\*Tested and verified by independent laboratory testing.

### Socialize with us!

For news on water issues, upcoming events, promotions and more, visit us on Facebook and Twitter.



facebook.com/KineticoWater  
twitter.com/KineticoHQ

### Independent Laboratory Certification

The K5 Drinking Water Station is tested and certified by WQA against NSF/ANSI Standards 42, 53 and 58 for the reduction of claims specified on the Performance Data Sheet. Also conforms to CSA Standard B483.1-Drinking Water Treatment Systems (Refer to the Performance Data Sheet for individual contaminants and reduction performance).



C USA